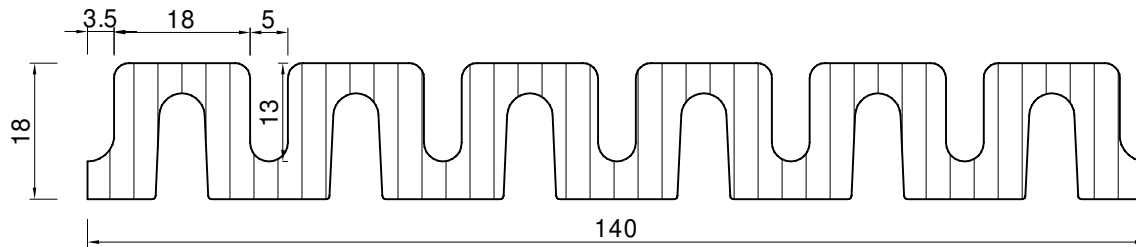
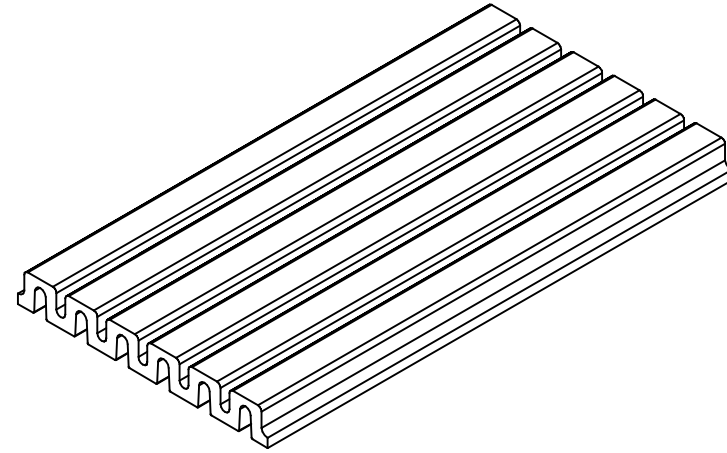


TOP  
SCALE 1/3



FRONT  
SCALE 1/1

SIZE:  
Length:5800/2900 mm  
Width:140 mm  
Thickness:18 mm

Tolerance:  
Length:±0.5 mm per meter  
Width:±0.5 mm  
Thickness:±0.5 mm

Package: Pallet/carton

Ceiling:  
WP18-5

Interior Wall:  
WP18-5

**GREEZU 赣州森泰竹木有限公司**  
Ganzhou Sentai Bamboo & Wood Co., Ltd

系列名称: 室内  
SERIES NAME

产品名称: 室内墙板  
PRODUCT

产品型号: WP18-5  
MODEL

规格: 5800/2900x140x18  
SIZE

设计:  
DEVISER

制图: 余华  
DRAW BY

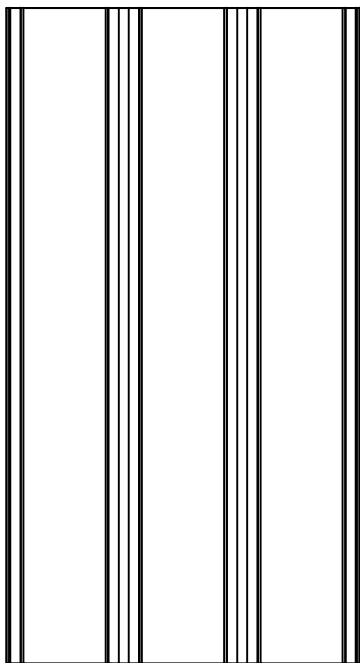
审核:  
AUDITING

生效日期: 2021-03-02  
APPROVED DATE

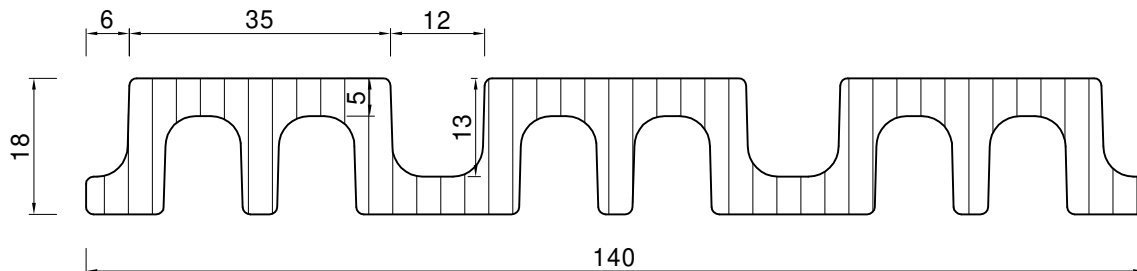
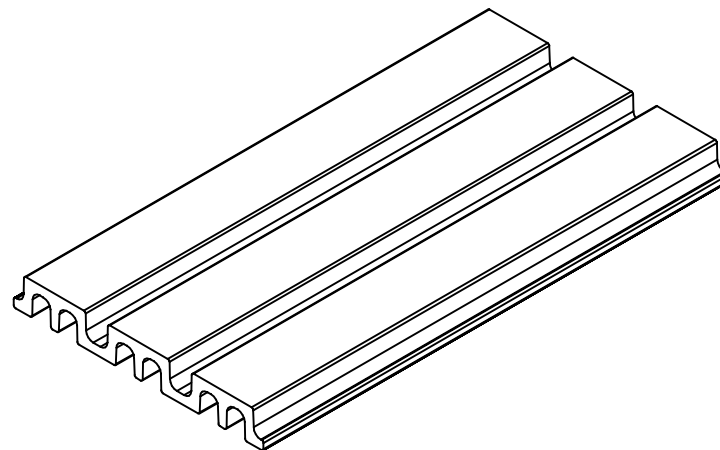
修改次数:  
AMEND NO

版本号: A  
EDITION NO

备注:  
REMARK:



TOP  
SCALE 1/3



FRONT  
SCALE 1/1

SIZE:  
Length:5800/2900 mm  
Width:140 mm  
Thickness:18 mm

Tolerance:  
Length:±0.5 mm per meter  
Width:±0.5 mm  
Thickness:±0.5 mm

Package: Pallet/carton

Ceiling:  
WP35-12

Interior Wall:  
WP35-12

GREEZU 赣州森泰竹木有限公司

Ganzhou Sentai Bamboo & Wood Co., Ltd

系列名称: 室内  
SERIES NAME

产品名称: 室内墙板  
PRODUCT

产品型号: WP35-12  
MODEL

规格: 5800/2900x140x18  
SIZE

设计:  
DEVISER

制图: 余华  
DRAW BY

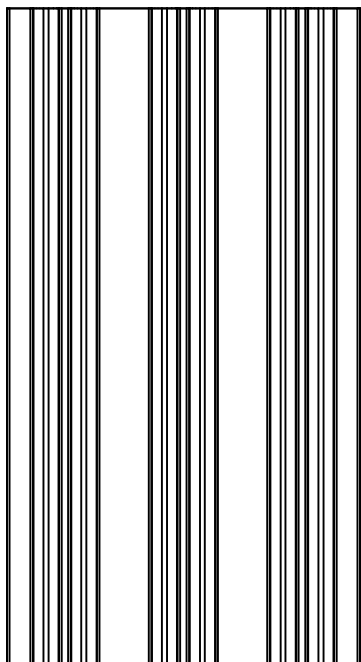
审核:  
AUDITING

生效日期: 2021-03-02  
APPROVED DATE

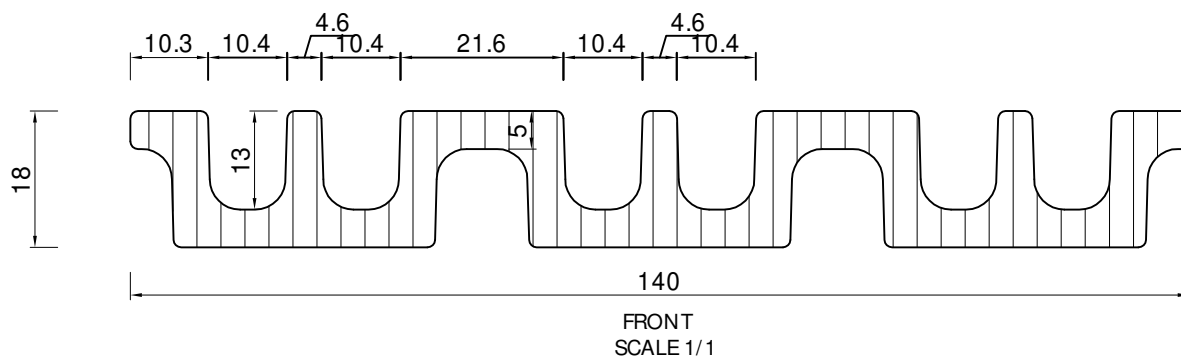
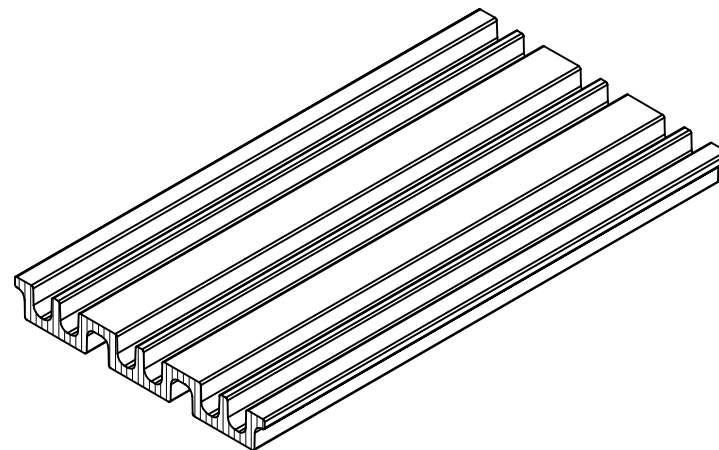
修改次数:  
AMEND NO

版本号: A  
EDITION NO

备注:  
REMARK:



TOP  
SCALE 1/3



SIZE:  
Length:5800/2900 mm  
Width:140 mm  
Thickness:18 mm

Tolerance:  
Length:±0.5 mm per meter  
Width:±0.5 mm  
Thickness:±0.5 mm

Package: Pallet/carton

Ceiling:  
WP20-5-10

Interior Wall:  
WP20-5-10

GREEZU 赣州森泰竹木有限公司

Ganzhou Sentai Bamboo & Wood Co., Ltd

系列名称: 室内  
SERIES NAME

产品名称: 室内墙板  
PRODUCT

产品型号: WP20-5-10  
MODEL

规格: 5800/2900x140x18  
SIZE

设计:  
DEVISER

制图: 余华  
DRAW BY

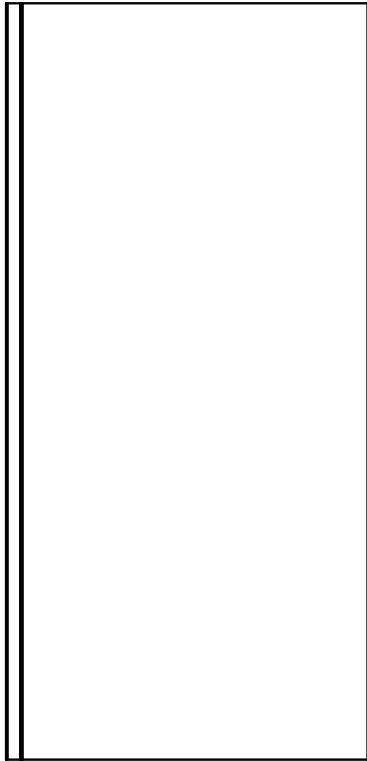
审核:  
AUDITING

生效日期: 2021-03-02  
APPROVED DATE

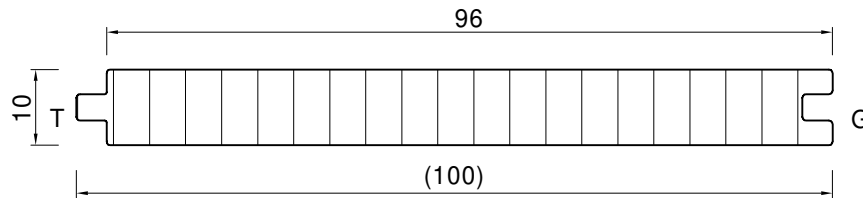
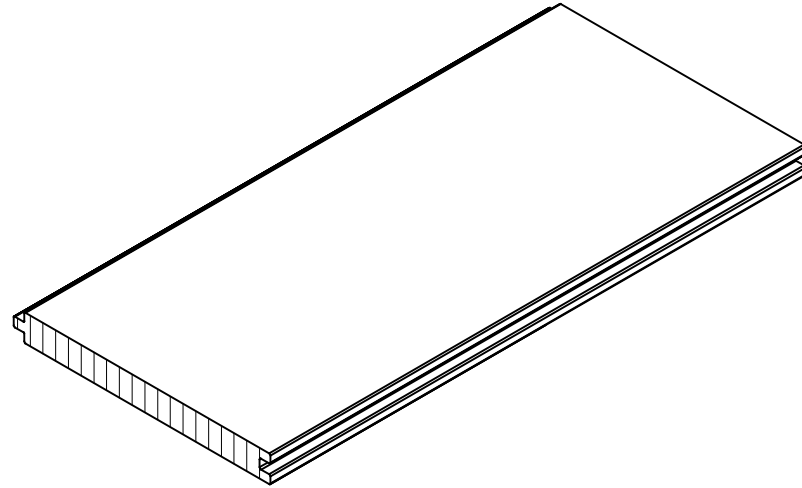
修改次数:  
AMEND NO

版本号: A  
EDITION NO

备注:  
REMARK:



TOP  
SCALE 1/2



FRONT  
SCALE 1/1

SIZE:  
Length:2000/2900 mm  
Width: 96 mm  
Thickness:10 mm

Tolerance:  
Length:+/-0.5 mm per meter  
Width:+/-0.5 mm  
Thickness:+/- 0.5 mm

Package: Pallet/carton

Ceiling:  
WP-10

Interior Wall:  
WP-10

**GREEZU 赣州森泰竹木有限公司**  
Ganzhou Sentai Bamboo & Wood Co., Ltd

系列名称: 室内  
SERIES NAME

产品名称: 室内墙板  
PRODUCT

产品型号: WP-10  
MODEL

规格: 2000/2900x96x10  
SIZE

设计:  
DEVISER

制图: 余华  
DRAW BY

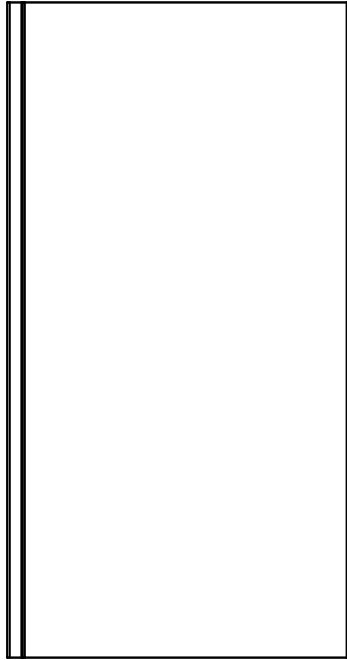
审核:  
AUDITING

生效日期: 2021-03-02  
APPROVED DATE

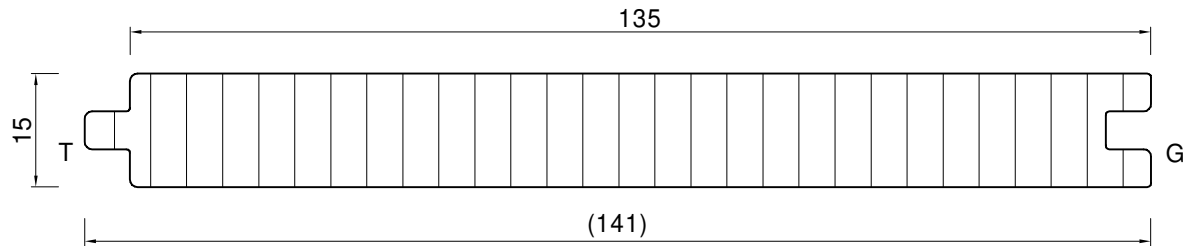
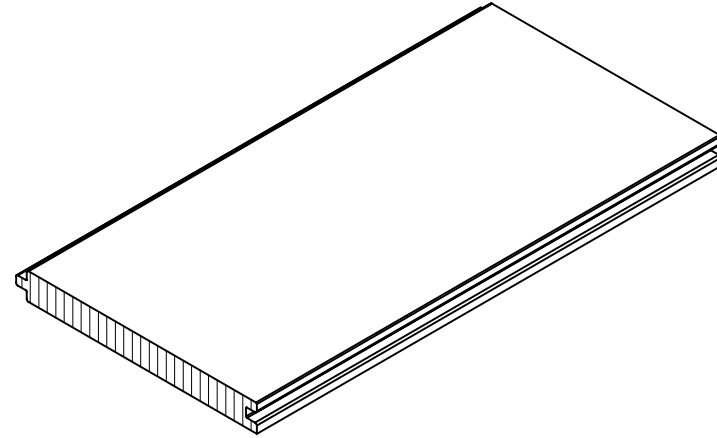
修改次数:  
AMEND NO

版本号: A  
EDITION NO

备注:  
REMARK:



TOP  
SCALE 1/3



FRONT  
SCALE 1/1

SIZE:  
Length:2000/2900 mm  
Width: 135 mm  
Thickness:15 mm

Tolerance:  
Length:±0.5 mm per meter  
Width:±0.5 mm  
Thickness:±0.5 mm

Package: Pallet/carton

Ceiling:  
WP-15

Interior Wall:  
WP-15

**GREEZU 赣州森泰竹木有限公司**  
Ganzhou Sentai Bamboo & Wood Co., Ltd

系列名称: 室内  
SERIES NAME

产品名称: 室内墙板  
PRODUCT

产品型号: WP-15  
MODEL

规格: 2000/2900x135x15  
SIZE

设计:  
DEVISER

制图: 余华  
DRAW BY

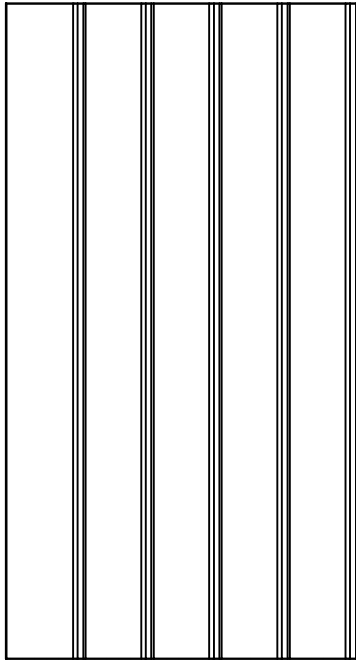
审核:  
AUDITING

生效日期: 2021-03-02  
APPROVED DATE

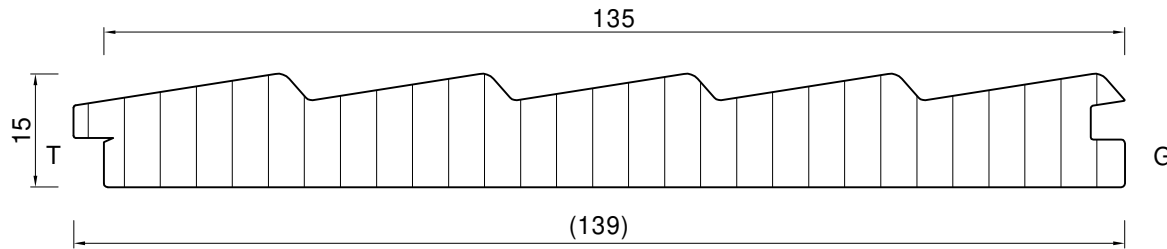
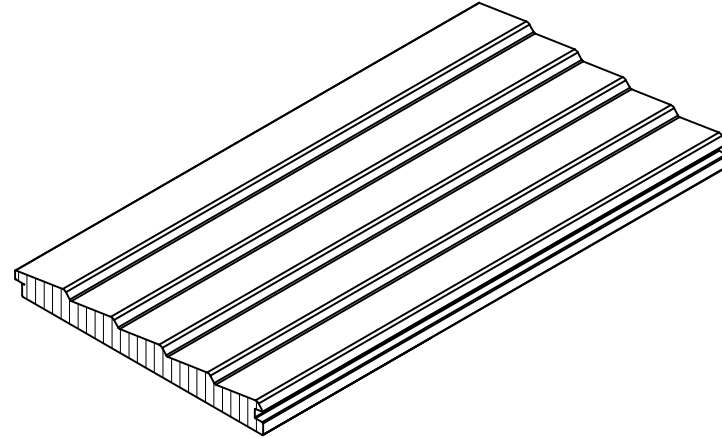
修改次数:  
AMEND NO

版本号: A  
EDITION NO

备注:  
REMARK:



TOP  
SCALE 1/3



FRONT  
SCALE 1/1

SIZE:  
Length:5800/2900 mm  
Width: 135 mm  
Thickness:15 mm

Tolerance:  
Length:+/-0.5 mm per meter  
Width:+/-0.5 mm  
Thickness:+/- 0.5 mm

Package: Pallet/carton

Ceiling:  
WP-5

Interior Wall:  
WP-5

**GREEZU 赣州森泰竹木有限公司**  
Ganzhou Sentai Bamboo & Wood Co., Ltd

系列名称: 室内  
SERIES NAME

产品名称: 室内墙板  
PRODUCT

产品型号: WP-5  
MODEL

规格: 5800/2900x135x15  
SIZE

设计:  
DEVISER

制图: 余华  
DRAW BY

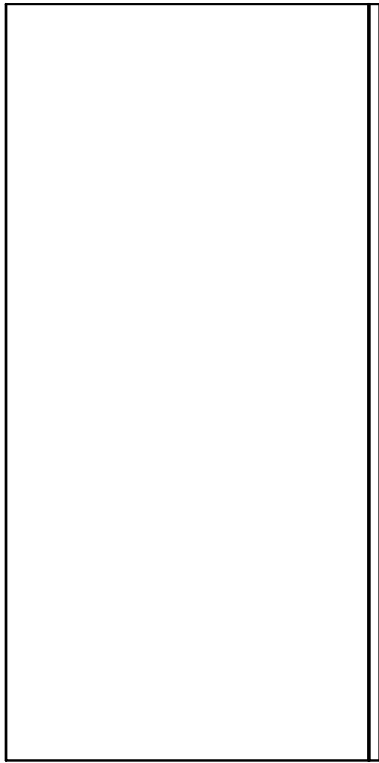
审核:  
AUDITING

生效日期: 2021-03-02  
APPROVED DATE

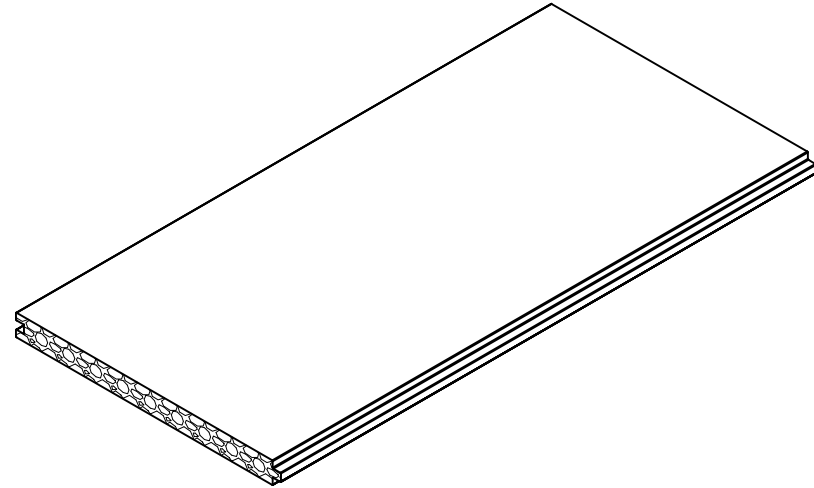
修改次数:  
AMEND NO

版本号: A  
EDITION NO

备注:  
REMARK:



TOP  
SCALE 1/2



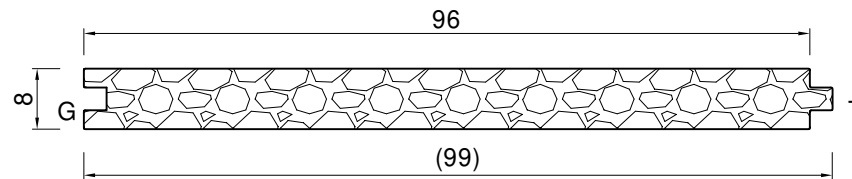
SIZE:  
Length:1860 mm  
Width: 96 mm  
Thickness: 8 mm

Tolerance:  
Length: +/- 0.5 mm per meter  
Width: +/- 0.5 mm  
Thickness: +/- 0.5 mm

Package: Pallet/carton

Ceiling:  
WP-SW10

Interior Strand woven Wall:  
WP-SW10



FRONT  
SCALE 1/1

**GREEZU 赣州森泰竹木有限公司**  
Ganzhou Sentai Bamboo & Wood Co., Ltd

系列名称: 室内  
SERIES NAME

产品名称: 室内墙板  
PRODUCT

产品型号: WP-SW10  
MODEL

规格: 1860x96x8  
SIZE

设计:  
DEVISER

制图: 余华  
DRAW BY

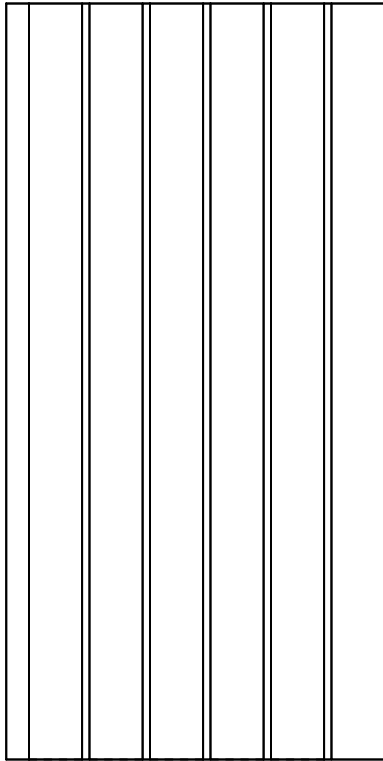
审核:  
AUDITING

生效日期: 2021-03-02  
APPROVED DATE

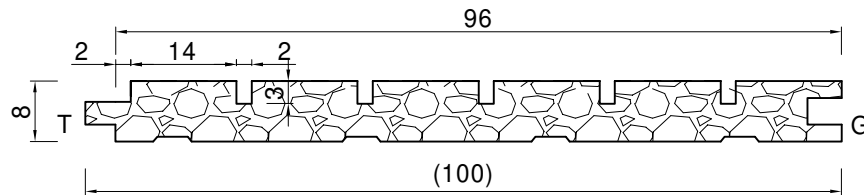
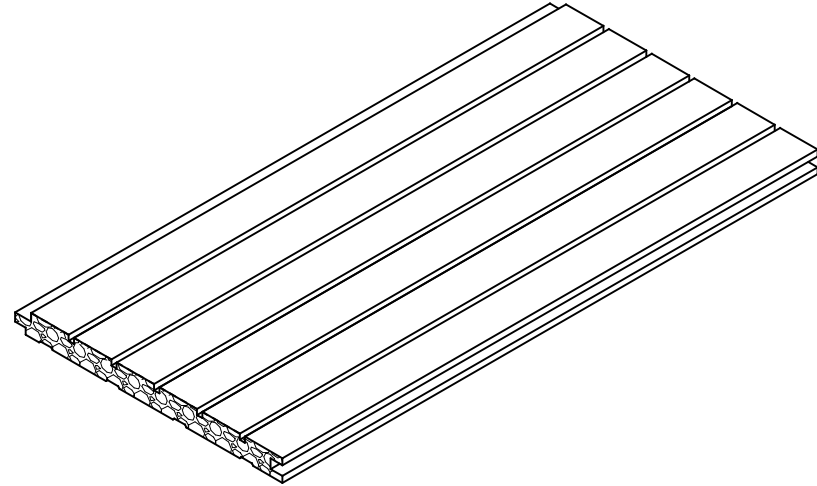
修改次数:  
AMEND NO

版本号: A  
EDITION NO

备注:  
REMARK:



TOP  
SCALE 1/2



FRONT  
SCALE 1/1

SIZE:  
Length:1860 mm  
Width: 96 mm  
Thickness: 8 mm

Tolerance:  
Length:±0.5 mm per meter  
Width:±0.5 mm  
Thickness:±0.5 mm

Package: Pallet/carton

Ceiling:  
WP-SW14-2

Interior Strand woven Wall:  
WP-SW14-2

**GREEZU 赣州森泰竹木有限公司**  
Ganzhou Sentai Bamboo & Wood Co., Ltd

系列名称: 室内  
SERIES NAME

产品名称: 室内墙板  
PRODUCT

产品型号: WP-SW14-2  
MODEL

规格: 1860x96x8  
SIZE

设计:  
DEVISER

制图: 余华  
DRAW BY

审核:  
AUDITING

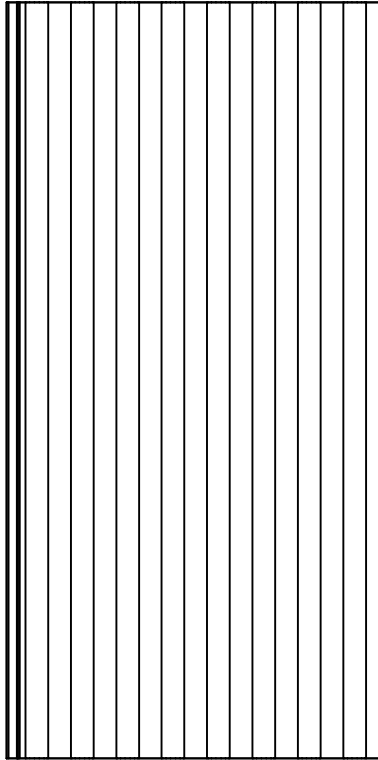
生效日期: 2021-03-02  
APPROVED DATE

修改次数:  
AMEND NO

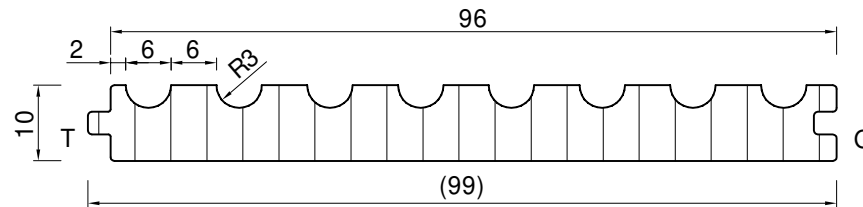
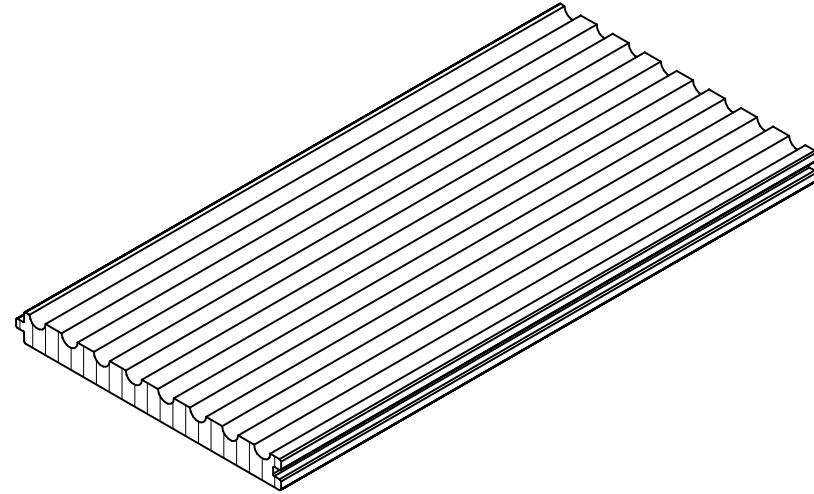
版本号: A  
EDITION NO

备注:  
REMARK:





TOP  
SCALE 1/2



FRONT  
SCALE 1/1

SIZE:  
Length:2000/2900mm  
Width: 96 mm  
Thickness: 10mm

Tolerance:  
Length:±0.5 mm per meter  
Width:±0.5 mm  
Thickness:±0.5 mm

Package: Pallet/carton

Ceiling:  
W-VC6-6

Interior Wall:  
W-VC6-6

**GREEZU 赣州森泰竹木有限公司**  
Ganzhou Sentai Bamboo & Wood Co., Ltd

系列名称: 室内  
SERIES NAME

产品名称: 室内墙板  
PRODUCT

产品型号: W-VC6-6  
MODEL

规格: 2000/2900x96x10  
SIZE

设计:  
DEVISER

制图: 余华  
DRAW BY

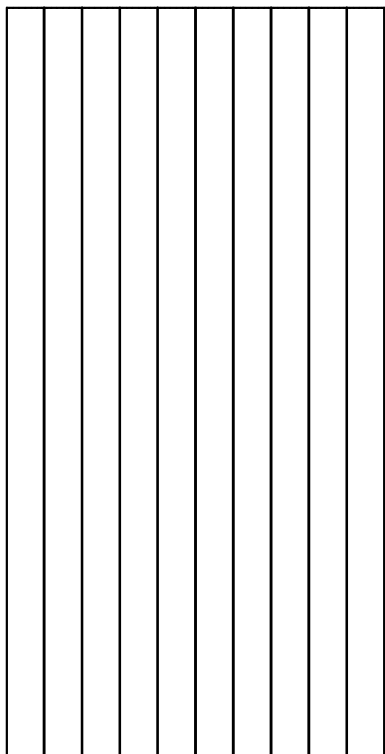
审核:  
AUDITING

生效日期: 2021-03-02  
APPROVED DATE

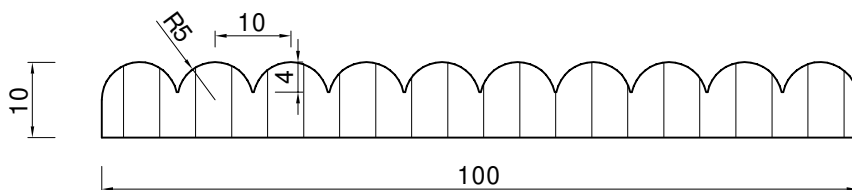
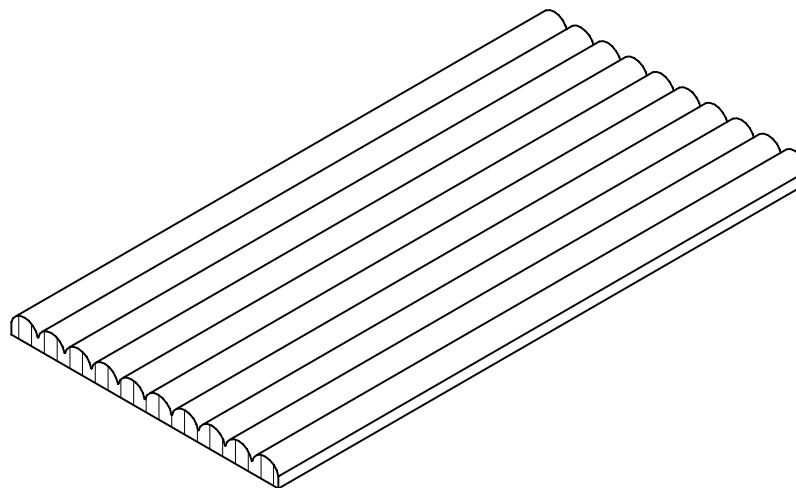
修改次数:  
AMEND NO

版本号: A  
EDITION NO

备注:  
REMARK:



TOP  
SCALE 1/2



FRONT  
SCALE 1/1

SIZE:  
Length:2000/2900mm  
Width: 100 mm  
Thickness: 10 mm

Tolerance:  
Length:±0.5 mm per meter  
Width:±0.5 mm  
Thickness:±0.5 mm

Package: Pallet/carton

Ceiling:  
W-VCR-10

Interior Wall:  
W-VCR-10

GREEZU 赣州森泰竹木有限公司

Ganzhou Sentai Bamboo & Wood Co., Ltd

系列名称: 室内  
SERIES NAME

产品名称: 室内墙板  
PRODUCT

产品型号: WP-VCR-10  
MODEL

规格: 2000/2900x100x10  
SIZE

设计:  
DEVISER

制图: 余华  
DRAW BY

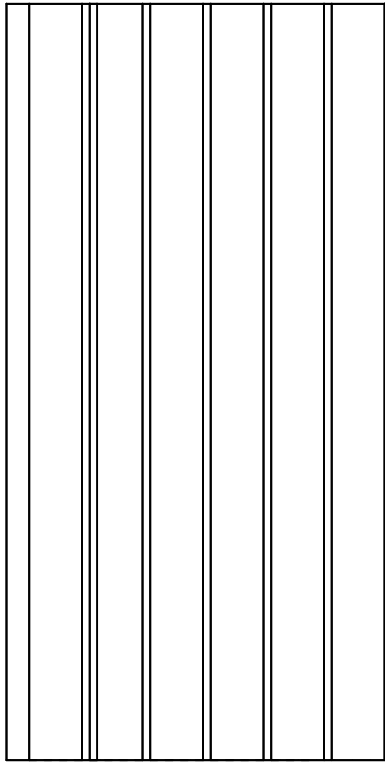
审核:  
AUDITING

生效日期: 2021-03-02  
APPROVED DATE

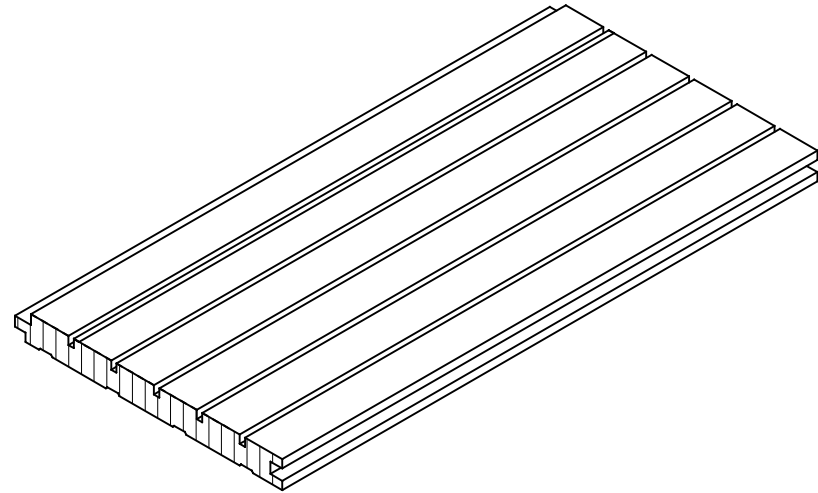
修改次数:  
AMEND NO

版本号: A  
EDITION NO

备注:  
REMARK:



TOP  
SCALE 1/2



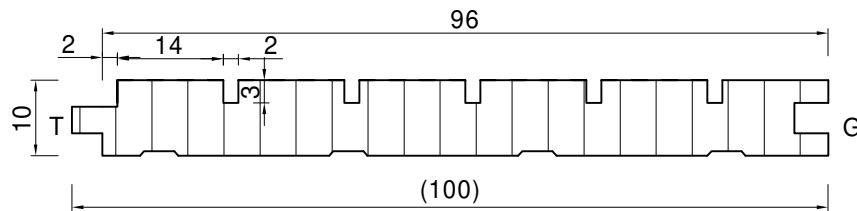
SIZE:  
Length:2000/2900mm  
Width: 96mm  
Thickness: 10 mm

Tolerance:  
Length:±0.5 mm per meter  
Width:±0.5 mm  
Thickness:±0.5 mm

Package: Pallet/carton

Ceiling:  
W-VC14-2

Interior Wall:  
W-VC14-2



FRONT  
SCALE 1/1

**GREEZU 赣州森泰竹木有限公司**  
Ganzhou Sentai Bamboo & Wood Co., Ltd

系列名称: 室内  
SERIES NAME

产品名称: 室内墙板  
PRODUCT

产品型号: W-VC14-2  
MODEL

规格: 2000/2900x96x10  
SIZE

设计:  
DEVISER

制图: 余华  
DRAW BY

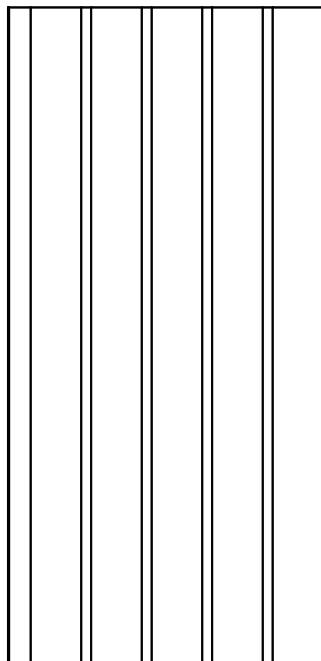
审核:  
AUDITING

生效日期: 2021-03-02  
APPROVED DATE

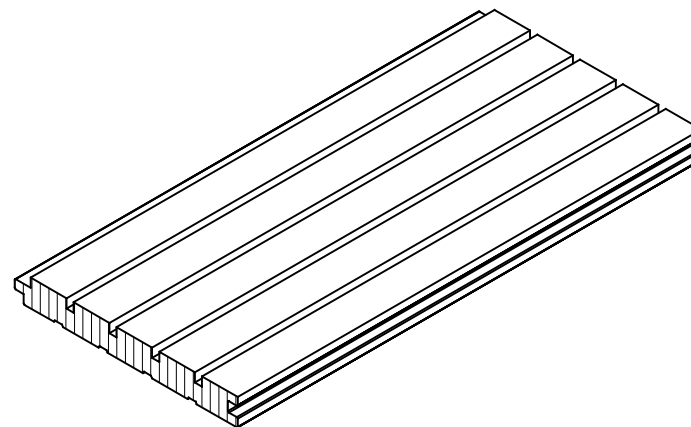
修改次数:  
AMEND NO

版本号: A  
EDITION NO

备注:  
REMARK:



TOP  
SCALE 1/3



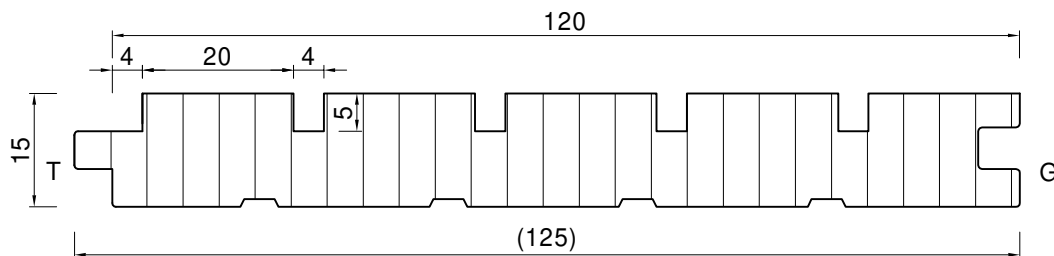
SIZE:  
Length:2000/2900mm  
Width: 120mm  
Thickness: 15 mm

Tolerance:  
Length: +/- 0.5 mm per meter  
Width: +/- 0.5 mm  
Thickness: +/- 0.5 mm

Package: Pallet/carton

Ceiling:  
W-VC20-4

Interior Wall:  
W-VC20-4



FRONT  
SCALE 1/1

**GREEZU 赣州森泰竹木有限公司**

Ganzhou Sentai Bamboo & Wood Co., Ltd

系列名称: 室内  
SERIES NAME

产品名称: 室内墙板  
PRODUCT

产品型号: W-VC20-4  
MODEL

规格: 2000/2900x120x15  
SIZE

设计:  
DEVISER

制图: 余华  
DRAW BY

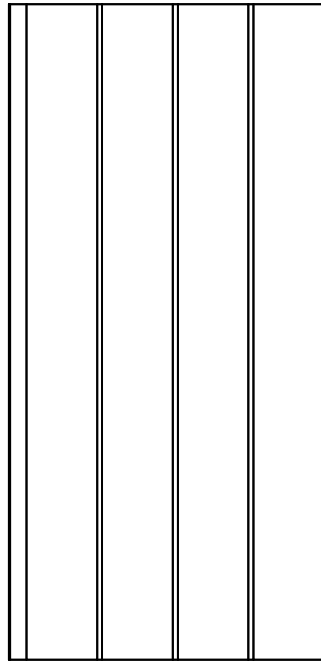
审核:  
AUDITING

生效日期: 2021-03-02  
APPROVED DATE

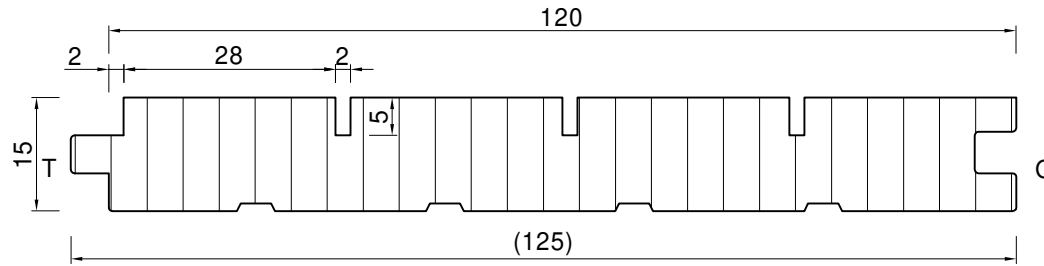
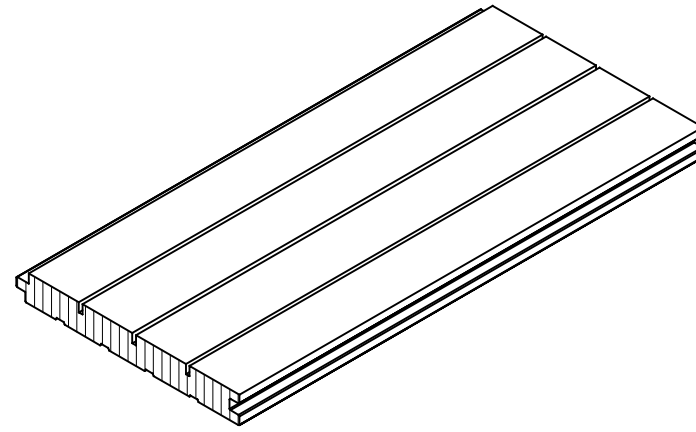
修改次数:  
AMEND NO

版本号: A  
EDITION NO

备注:  
REMARK:



TOP  
SCALE 1/3



FRONT  
SCALE 1/1

SIZE:  
Length:2000/2900mm  
Width: 120mm  
Thickness: 15 mm

Tolerance:  
Length:±0.5 mm per meter  
Width:±0.5 mm  
Thickness:±0.5 mm

Package: Pallet/carton

Ceiling:  
W-VC28-2

Interior Wall:  
W-VC28-2

**GREEZU 赣州森泰竹木有限公司**  
Ganzhou Sentai Bamboo & Wood Co., Ltd

系列名称: 室内  
SERIES NAME

产品名称: 室内墙板  
PRODUCT

产品型号: W-VC28-2  
MODEL

规格: 2000/2900x120x15  
SIZE

设计:  
DEVISER

制图: 余华  
DRAW BY

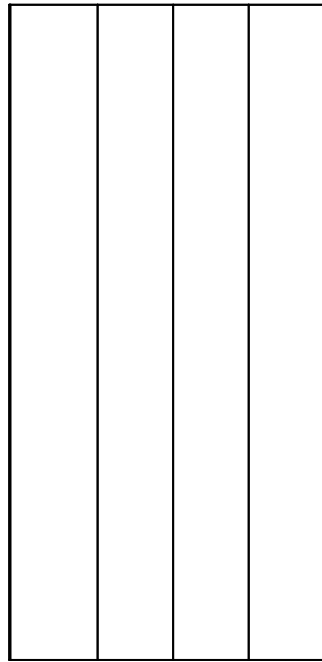
审核:  
AUDITING

生效日期: 2021-03-02  
APPROVED DATE

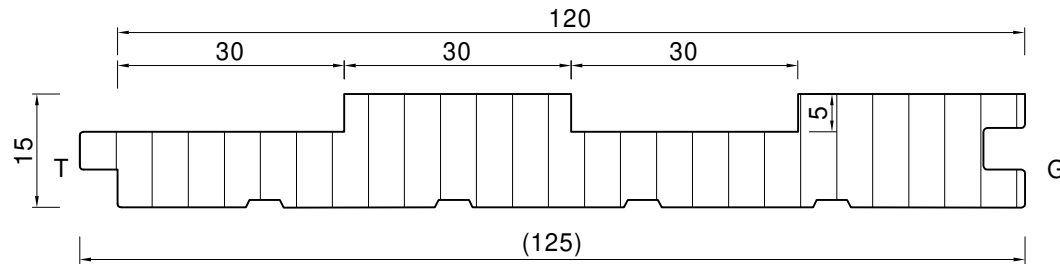
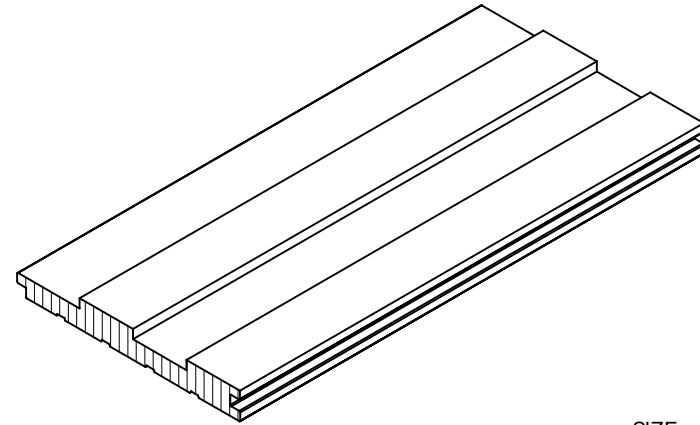
修改次数:  
AMEND NO

版本号: A  
EDITION NO

备注:  
REMARK:



TOP  
SCALE 1/3



FRONT  
SCALE 1/1

SIZE:  
Length:2000/2900mm  
Width: 120mm  
Thickness: 15 mm

Tolerance:  
Length: +/- 0.5 mm per meter  
Width: +/- 0.5 mm  
Thickness: +/- 0.5 mm

Package: Pallet/carton

Ceiling:  
W-VC30-30

Interior Wall:  
W-VC30-30

**GREEZU 赣州森泰竹木有限公司**  
Ganzhou Sentai Bamboo & Wood Co., Ltd

系列名称: 室内  
SERIES NAME

产品名称: 室内墙板  
PRODUCT

产品型号: W-VC30-30  
MODEL

规格: 2000/2900x120x15  
SIZE

设计:  
DEVISER

制图: 余华  
DRAW BY

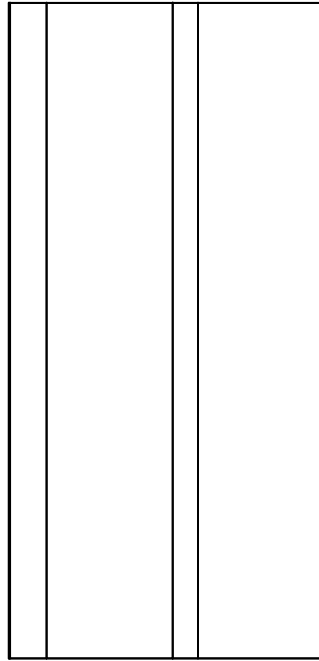
审核:  
AUDITING

生效日期: 2021-03-02  
APPROVED DATE

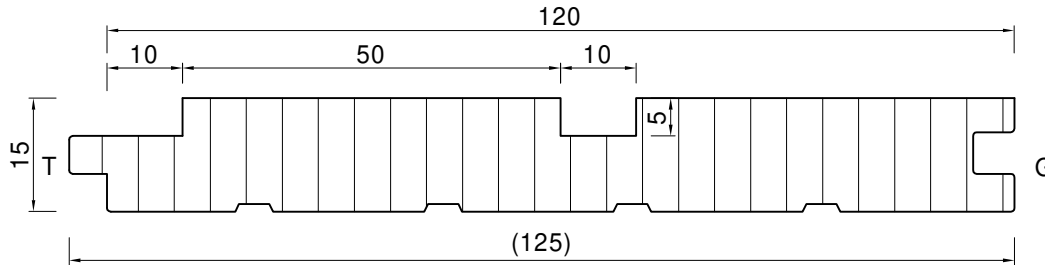
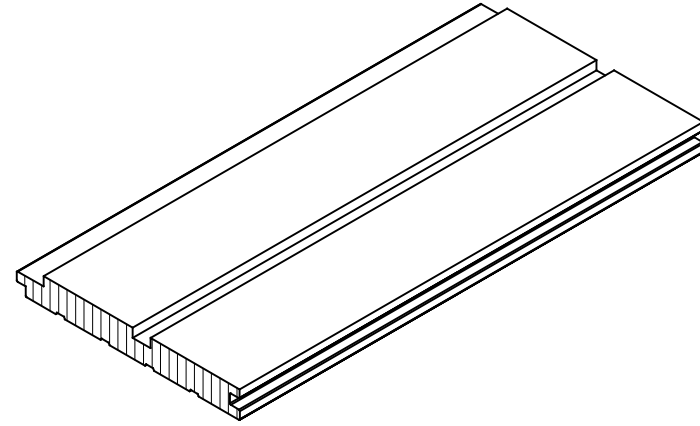
修改次数:  
AMEND NO

版本号: A  
EDITION NO

备注:  
REMARK:



TOP  
SCALE 1/3



FRONT  
SCALE 1/1

SIZE:  
Length:2000/2900mm  
Width: 120mm  
Thickness: 15 mm

Tolerance:  
Length:±0.5 mm per meter  
Width:±0.5 mm  
Thickness:±0.5 mm

Package: Pallet/carton

Ceiling:  
W-VC50-10

Interior Wall:  
W-VC50-10

**GREEZU 赣州森泰竹木有限公司**  
Ganzhou Sentai Bamboo & Wood Co., Ltd

系列名称: 室内  
SERIES NAME

产品名称: 室内墙板  
PRODUCT

产品型号: W-VC50-10  
MODEL

规格: 2000/2900x120x15  
SIZE

设计:  
DEVISER

制图: 余华  
DRAW BY

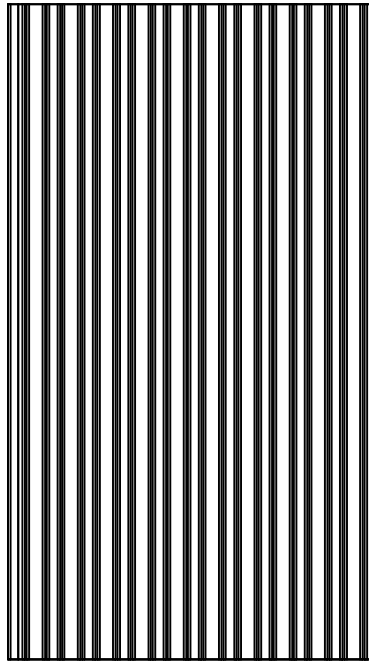
审核:  
AUDITING

生效日期: 2021-03-02  
APPROVED DATE

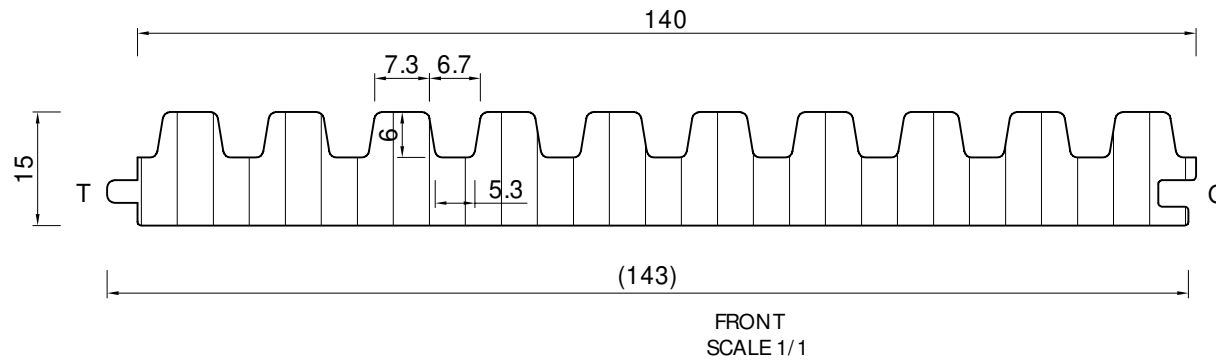
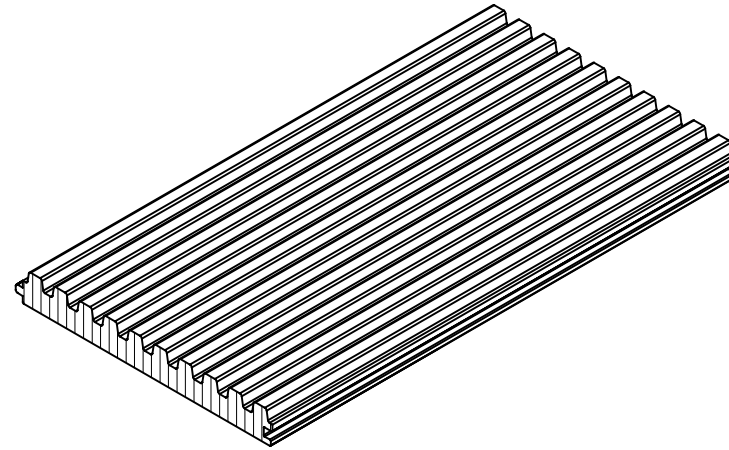
修改次数:  
AMEND NO

版本号: A  
EDITION NO

备注:  
REMARK:



TOP  
SCALE 1/3



SIZE:  
Length: 2000/2900mm  
Width: 140mm  
Thickness: 15 mm

Tolerance:  
Length: +/- 0.5 mm per meter  
Width: +/- 0.5 mm  
Thickness: +/- 0.5 mm

Package: Pallet/carton

Ceiling:  
W-VC7-7

Interior Wall:  
W-VC7-7

**GREEZU 赣州森泰竹木有限公司**  
Ganzhou Sentai Bamboo & Wood Co., Ltd

系列名称: 室内  
SERIES NAME  
产品名称: 室内墙板  
PRODUCT

产品型号: W-VC7-7  
MODEL  
规格: 2000/2900x140x15  
SIZE

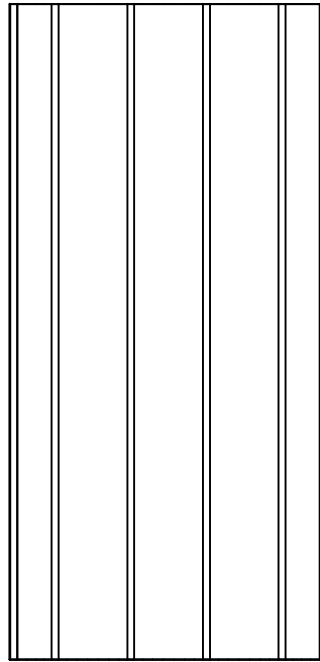
设计:  
DEVISER  
制图: 叶军华  
DRAW BY

审核:  
AUDITING  
生效日期: 2022-06-01  
APPROVED DATE

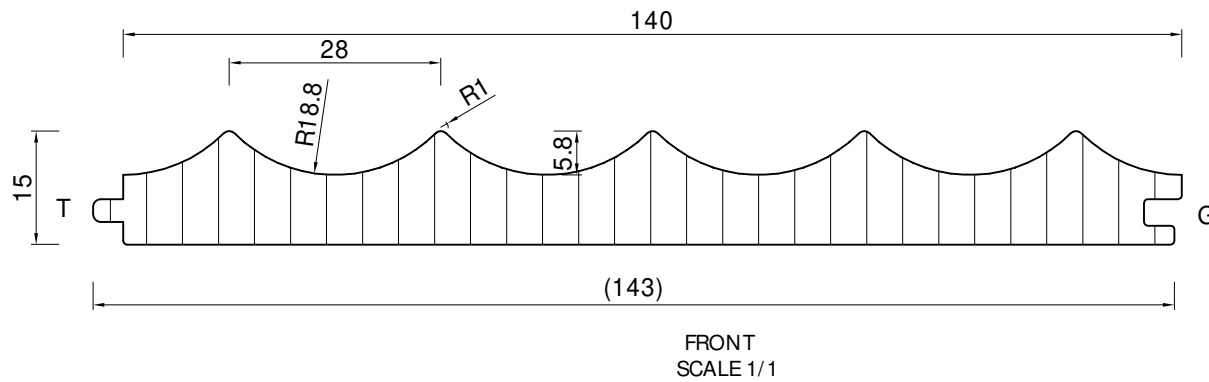
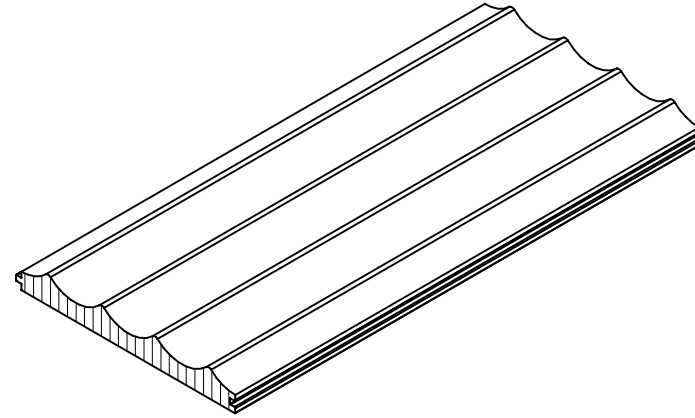
修改次数:  
AMEND NO  
版本号: A  
EDITION NO

备注:  
REMARK:





TOP  
SCALE 1/3



SIZE:  
Length: 2000/2900mm  
Width: 140mm  
Thickness: 15 mm

Tolerance:  
Length: +/- 0.5 mm per meter  
Width: +/- 0.5 mm  
Thickness: +/- 0.5 mm

Package: Pallet/carton

Ceiling:  
W-VCR-18G

Interior Wall:  
W-VCR-18G

**GREEZU 赣州森泰竹木有限公司**  
Ganzhou Sentai Bamboo & Wood Co., Ltd

系列名称: 室内  
SERIES NAME

产品名称: 室内墙板  
PRODUCT

产品型号: W-VCR-18G  
MODEL

规格: 2000/2900x140x15  
SIZE

设计:  
DEVISER

制图: 叶军华  
DRAW BY

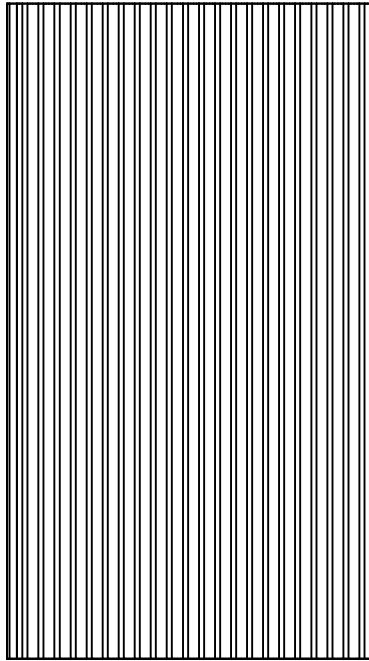
审核:  
AUDITING

生效日期: 2022-06-01  
APPROVED DATE

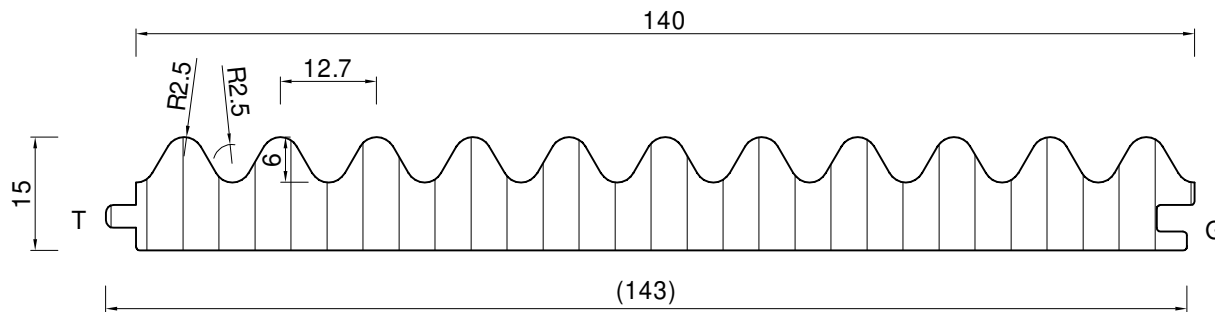
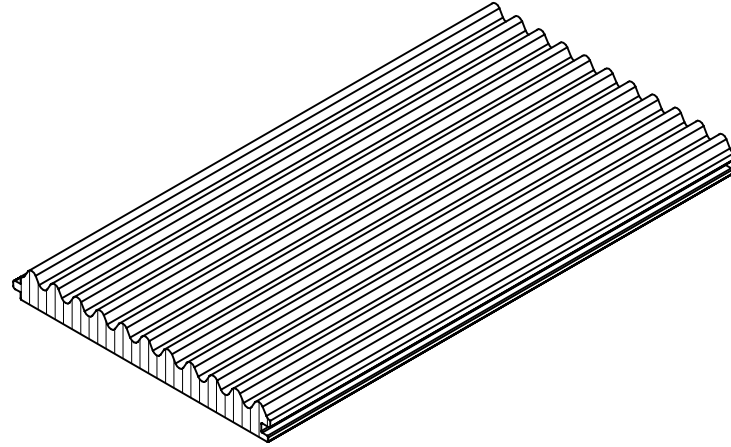
修改次数:  
AMEND NO

版本号: A  
EDITION NO

备注:  
REMARK:



TOP  
SCALE 1/3



FRONT  
SCALE 1/1

SIZE:  
Length: 2000/2900mm  
Width: 140mm  
Thickness: 15 mm

Tolerance:  
Length: +/- 0.5 mm per meter  
Width: +/- 0.5 mm  
Thickness: +/- 0.5 mm

Package: Pallet/carton

Ceiling:  
W-VC-S

Interior Wall:  
W-VC-S

**GREEZU 赣州森泰竹木有限公司**  
Ganzhou Sentai Bamboo & Wood Co., Ltd

系列名称: 室内  
SERIES NAME

产品名称: 室内墙板  
PRODUCT

产品型号: W-VC-S  
MODEL

规格: 2000/2900x140x15  
SIZE

设计:  
DEVISER

制图: 叶军华  
DRAW BY

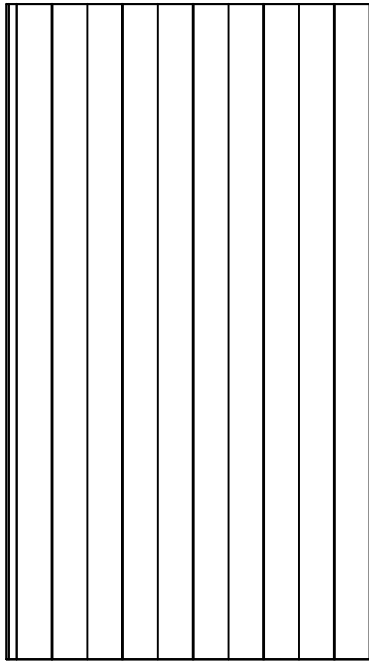
审核:  
AUDITING

生效日期: 2022-06-01  
APPROVED DATE

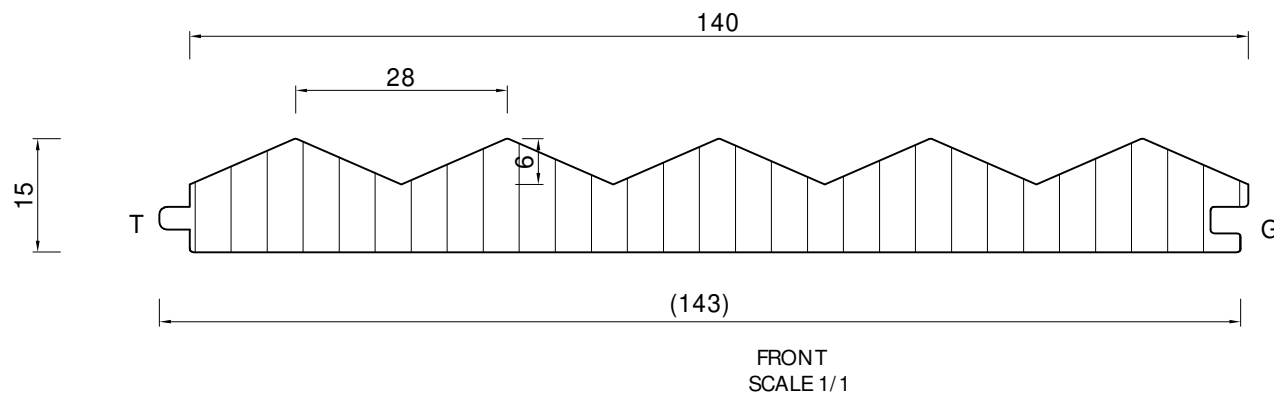
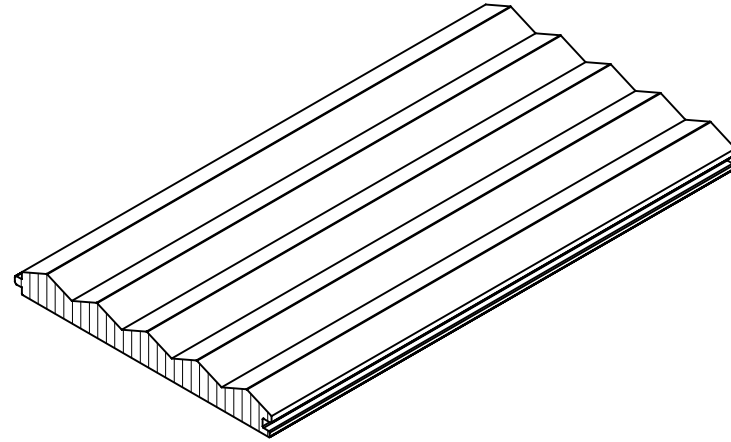
修改次数:  
AMEND NO

版本号: A  
EDITION NO

备注:  
REMARK:



TOP  
SCALE 1/3



SIZE:  
Length: 2000/2900mm  
Width: 140mm  
Thickness: 15 mm

Tolerance:  
Length: +/- 0.5 mm per meter  
Width: +/- 0.5 mm  
Thickness: +/- 0.5 mm

Package: Pallet/carton

Ceiling:  
W-VC28-V

Interior Wall:  
W-VC28-V

GREENU 赣州森泰竹木有限公司  
Ganzhou Sentai Bamboo & Wood Co., Ltd

系列名称: 室内  
SERIES NAME

产品名称: 室内墙板  
PRODUCT

产品型号: W-VC28-V  
MODEL

规格: 2000/2900x140x15  
SIZE

设计:  
DEVISER

制图: 叶军华  
DRAW BY

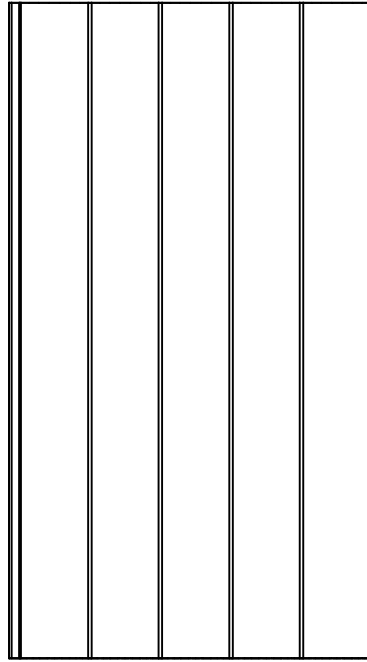
审核:  
AUDITING

生效日期: 2022-06-01  
APPROVED DATE

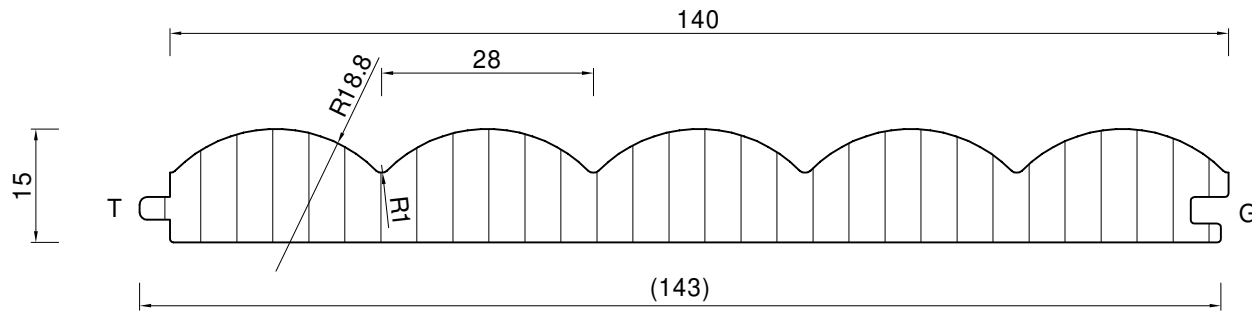
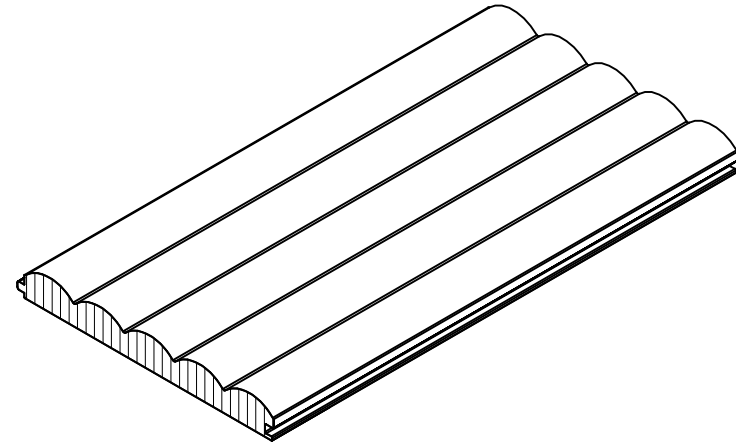
修改次数:  
AMEND NO

版本号: A  
EDITION NO

备注:  
REMARK:



TOP  
SCALE 1/3



FRONT  
SCALE 1/1

SIZE:  
Length: 2000/2900mm  
Width: 140mm  
Thickness: 15 mm

Tolerance:  
Length: +/- 0.5 mm per meter  
Width: +/- 0.5 mm  
Thickness: +/- 0.5 mm

Package: Pallet/carton

Ceiling:  
W-VCR-18T

Interior Wall:  
W-VCR-18T

**GREEZU 赣州森泰竹木有限公司**  
Ganzhou Sentai Bamboo & Wood Co., Ltd

系列名称: 室内  
SERIES NAME  
产品名称: 室内墙板  
PRODUCT

产品型号: W-VCR-18T  
MODEL  
规格: 2000/2900x140x15  
SIZE

设计:  
DEVISER  
制图: 叶军华  
DRAW BY

审核:  
AUDITING  
生效日期: 2022-06-01  
APPROVED DATE

修改次数:  
AMEND NO  
版本号: A  
EDITION NO

备注:  
REMARK: